

Kaycee for Commitment...

Kaycee for Quality...



KAYCEE

Brand that set the standards

TWIN ROTARY TOGGLE SWITCHES (WATER TIGHT)



**TYPE:
2RT 1000 A-N**

KAYCEE Twin Rotary Toggle Switches type 2 RT 1000 A-N incorporate two independent. Q.M.B. mechanisms protected in a metallic housing, suitable for outdoor installation as they are weather tight. These switches are recommended for their quick installation and use in all weather conditions. Installation is by fixing two suitable screws. Easy wiring is through a conduit entry size M-20 x 1.5 mm Pitched tap.

CIRCUITARY :

Two independent single pole switches with ON-OFF function.

NOMINAL RATING :

6A/250V DC or 500V AC.

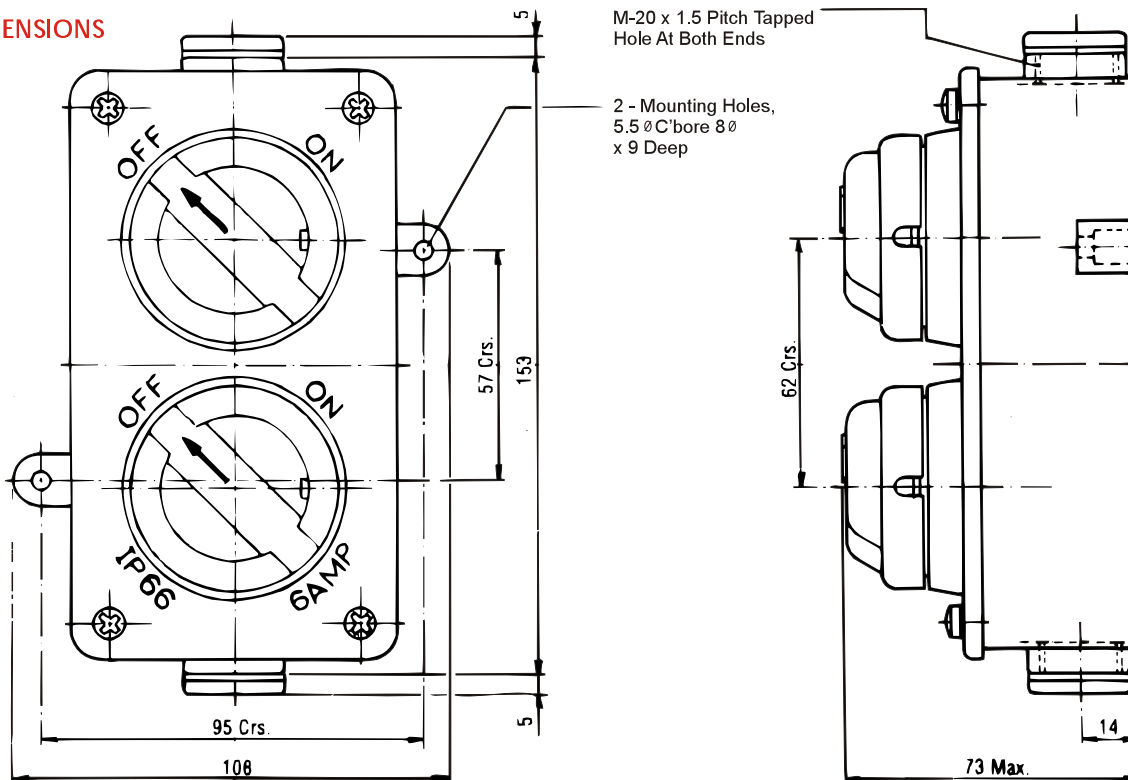
SPECIFICATIONS :

Switches comply with the relevant clauses of the following specifications:

ICE 60947 (Part I & V) of 2012

Terminals Screw Terminals Operating Force (Torque)
7 kg. Cm Weight 488 gms. (approx)

DIMENSIONS



ALL DIMENSIONS ARE IN M.M.

GENERAL TOLERANCES	
Full Figures	± 1
Upto 1st Decimal	± 0.5
Upto 2nd Decimal	± 0.25
Angle	± 1/2°

ROTARY TOGGLE SWITCHES WITH PLUG AND SOCKET (WEATHER TIGHT)



TYPE :
RT 1000 B / PS / S - N
RT 1000 C / PS / S - N

DIMENSIONS

KAYCEE Rotary Toggle Switches with Plug and Socket, incorporate a switch with Q.M.B. mechanism protected in a metallic housing, suitable for outdoor installation as they are weather tight. The assembly is available with Plug and Socket with and without shutters. The plug consists of suitable rated fuse for over-loading protection. These switches are recommended for their Quick installation and use in all weather condition. Installation is by fixing two suitable screw. Easy wiring is through a conduit entry size M-25 x 2 mm. pitch tap.

ELECTRICAL DATA :

CONTINUES CURRENT ITH :

5A / 6A / 13A / 15A / 20A / 250VDC & 500VAC
 For make break at rated current & voltage

INSOLATION VOLTATE :

500 VAC

OPERATIONAL VOLTAGE :

250VDC / 500VAC

HIGH VOLTAGE :

2.1 KV (R.M.S.)

AMBIENT TEMPERATURE :

45°C to 85°C

FREQUENCY OF OPERATION :

240 cycles / hours

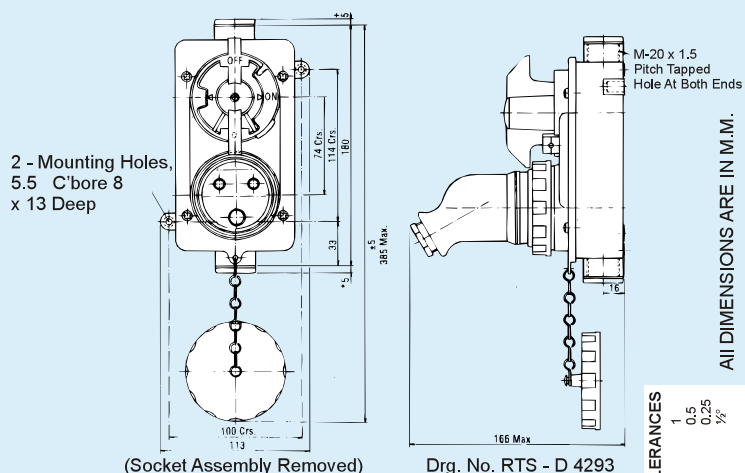
MECHANICAL LIFE :

50,000 Operations

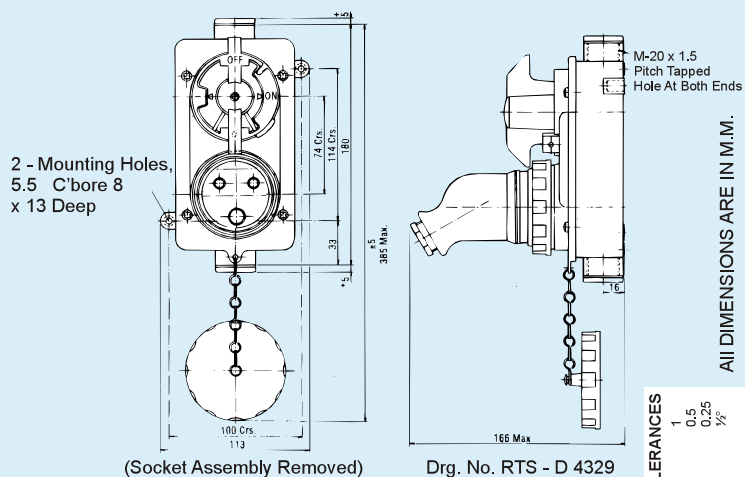
ELECTRICAL LIFE :

10,000 Operations

13 AMP Plug & Socket



15 AMP Plug & Socket



Manufactured by :
KAYCEE INDUSTRIES LIMITED

32, Ramjibhai Kamani Road, Ballard Estate,
 Mumbai -400 001

Tel.: 91-22-22613521 / 22 / 33.

Fax : 91-22-22616106

Email : sales@kayceeindustries.in

Website : www.kayceeindustries.com

