



KAYCEE

Brand that set the standards

KAYCEE ROTARY SWITCHES



Kaycee for Commitment...

Kaycee for Quality...



THE ADVANTAGE IS YOURS

KAYCEE Rotary Switches have been engineered with reliable design especially to meet the requirements of latest concept for switching technology in control engineering and thus offer complete design flexibility to assemble complex switching program.

These are guarantee for optimum performance and meet with latest industrial application.

Also backed by the industries most knowledgeable and responsive engineering and customer service professionals.

Assembled on packet principle with choice of four position and multi pole circuits. The superior engineering materials and manufacturing processes for rotary switch components ensure reliable electrical endurance for safer operation and used for longer life. The high grade engineering plastics for the components ensure greater mechanical strength.

APPLICATION

Making -breaking circuits
Isolation of power circuits
Switching of auxiliary circuits
Motor application
Ammeter or Voltmeter Selector Switches

RANGE

16A, 250V AC / 10A, 440V AC
25A, 250V AC / 16A, 440V AC
16A, 440V AC
25A, 440V AC

FEATURES

Design assembled on packet principle
Air break type Wiping contact
Make before break contact
90° angle of throw
Panel & base mounting
Unwanted position blocked when specified.
With high grade thermo plastics with excellent electrical properties
Tested at ERDA as per IEC 60947 Part I & III : 2005
CE marking
Factory ISO 9001:2008 certified by UL DQS Inc., USA
Operating mechanism slow break - Principally for AC switching only.
Kaycee rotary switches comply with IS 13947 Part I & III

ELECTRICAL DATA

Continuos Current	10A, 16A, 25A
Operational Voltage	250V, 440V AC
High Voltage Test	2.5 Kv for 1 minute
Ambient Temperature	upto 50°C
Mechanical Life	1 Lakh operation
Electrical Life	Depends upon the application
Short Time Withstand Current	10 Times of operating current for 1 Sec.
Short Time Making & Breaking Capacity	10 Times of operating current

CODING SYSTEM

Rotary Switches consist of index letters & figures grouped in sequence to indicate the salient features of the switches.

SRP1817A/MB/TB3/LG1/GC

A) Prefix letters

B) The next Group of letters

C) The next Group of figures

D) The next Group of figures

E) The next Group of figures

F) Suffix letters

G) Special codes

H) Blocking Mechanism

I) Locking attachment

J) Centre key lock assembly

Code ref.

Locking Position & key position

K) Cubicle door interlock

Code ref.

Position in which lock dis-engage

L) Cubicle door interlock

Code ref.

Position in which lock dis-engage

M) Code for indication plate

S- indicates AC only -slow break quick make mechanism.

Method of Mounting

RP - Back up panel flush mounting

BC - Front of panel base mounting

X - Universal mounting

M - Indicates switch for three phase - 440V

Indicates Current rating

1 - 10 A / 16 A

2 - 25A

Indicates No of poles

8 - No of Poles

Indicates No. of disc

17 - No. of discs in switches assembly

Indicates switches sequence

Note : ON/OFF Switches have no suffix letters.

A - 2 way no off

B - 2 way with off

C - 3 way with off

D - 4 way no off

Motor Control Switches

BX - 34 - Star delta starting with off

AB - 65 - Two speeds with off (High or low)

LK - Reversing or polarity change over no off (forward - reverse)

K - Reversing or polarity change over with off

VS - Voltmeter selector switch

MA60 - Ammeter selector switch

PC - Speed control switch

MB - Make before break contact

PD - Pad locking

For 4 position switch

TA - indicates switch limited to 3 operating position

TB - indicates switch limited to 2 operating position

TC - indicates switch limited to between normal position

L - Lever type lock

T - Tee type lock

P - Pistol grip type handle

K - Knob type handle

G1	G2	G3	G4	G12	G13	G24	G
1	2	3	4	1 & 2	1 & 3	2 & 4	All

Lockable type							
HR1	HR2	HR3	HR4	HR12	HR13	HR 24	HR
1	2	3	4	1 & 2	1 & 3	2 & 4	All

Non lockable type					
SH1	SH2	SH3	SH4	SH13	Sh24
1	2	3	4	1 & 3	2 & 4

GB - Grey flush plate with indicating plate & black knob

YR - Yellow flush plate with indicating plate & red knob

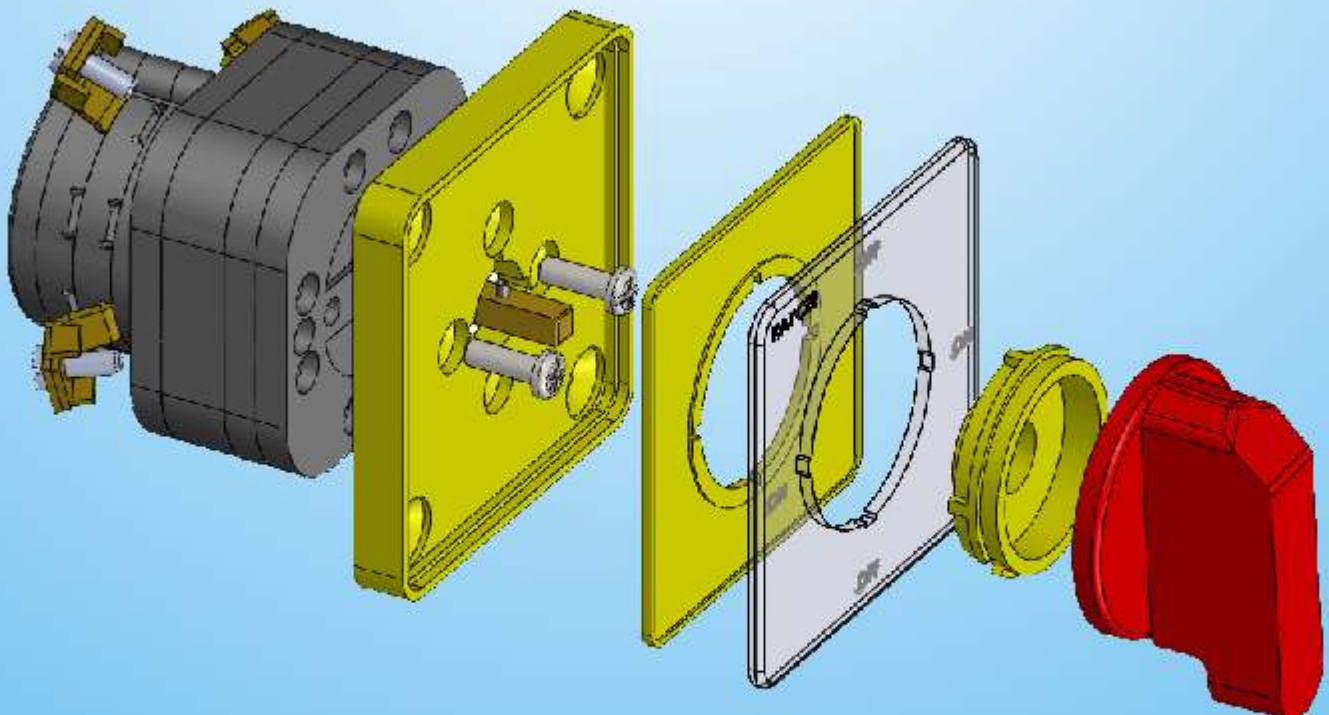
G - Grey flush plate with indicating plate

Y - Yellow flush plate with indicating plate

CODING FOR LIMITED POSITION SWITCHES 90° SWITCHING				
3 POSITION SWITCH CODE TA	TA 1	TA 2	TA 3	TA 4
2 POSITION SWITCH CODE TB	TB 1	TB 2	TB 3	TB 4
BETWEEN POSITIONS LIMITING MECHANISM CODE TC	TC 1	TC 2	TC 3	TC 4

MOUNTING DETAILS

1. Remove knob
2. Remove holder, IP & background plate
3. Remove two screws M4 x 12.
4. Fit Switch on panel (For Mounting holes refer mounting drawing)
5. Fit two screws M4 x 12
6. Fit background plate, IP, And holder
7. Fit Knob



10-16-25 Amperes 4-Position 90°

Rotary Switches of 10,16 and 25 Amp. 4 position, listed on next page, are with standard switching sequences up to 4 poles. Multi-pole switches are offered on request.

TYPE :

Open execution without any enclosure.

DESIGN :

Air break wiping contact(Double Break) silver plated, self aligning.

RATING:

10-16-25 Amp. for working voltage of 250 or 440 for AC switching.

SPECIFICATIONS

Rotary Switches conform to IS: 13947(Part I and Part III) /1993 and to BSS and Defence specifications.

MECHANISM

Slow break-principally for AC switching only. Quick make Break-principally for DC switching. Also for AC when easy and quick action is necessary.

MOUNTING:

For switches flush at the back of panel mounting specify SRP or SRPM for AC and RP or RPM for AC/DC. For Switches flush at front of panel mounting specify SBC or SBCM for AC and BC or BCM for AC/DC.

OPERATING HANDLE :

Knob(Wing type) of black colour / red colour.

OPTIONAL ACCESSORIES:

A selection of accessories and attachment from a wide variety is available, viz, Handles, Detachable Handles Indication Plates, Centre Key Locks , Cubicle Door Interlocks, Lockable - Non Lockable, Pad Locking etc. Details available on request.

It is recommended that switches with large built up should have handle & lockable switches with large built up should have LG lock.

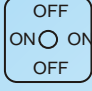
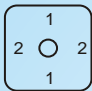
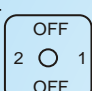
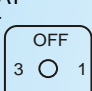
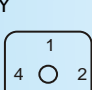


<p>INDICATING PLATE</p>  <p>95 x 95 MM (CKL)</p>  <p>65 x 65 MM</p>  <p>75 x 75 MM</p>	 <p>LEVER HANDLE NO1</p>	 <p>BALL TYPE HANDLE</p>	 <p>KNOB (RED/BLACK)</p>
	 <p>LEVER HANDLE NO2</p>	 <p>PAD LOCK DISC</p>	 <p>TERMINAL SHROUD</p>

ROTARY SWITCHES

10-16-25 Amperes 4-Position 90°

STANDARD SWITCHING COMBINATIONS
 Suitable for Mounting Flush at the Back of Panel
 SINGLE PHASE - 250 VOLTS (1 & 2 poles)
 THREE PHASE - 440 VOLTS (3 Poles & above)
 (working Voltage 250 to earth)

SWITCHING	NO OF	10 AMP.AC		16 AMP.AC		25 AMP.AC	
	POLES	TYPE	Dim. Y	TYPE	Dim. Y	TYPE	Dim. Y
ON-OFF 	1	-	-	SRP112	17	SRP213	23
	2	-	-	SRP123	23	SRP225	35
	3	SRP134	29	SRPM134	29	SRPM237	47
	4	SRP145	35	SRPM145	35	SRPM249	59
TWO WAY NO OFF A 	1	-	-	SRP113A	23	SRP213A	23
	2	-	-	SRP125A	35	SRP225A	35
	3	SRP137A	47	SRPM137A	47	SRPM237A	47
	4	SRP149A	59	SRPM149A	59	SRPM249A	59
TWO WAY WITH OFF B 	1	-	-	SRP113B	23	SRP215B	35
	2	-	-	SRP125B	35	SRP229B	59
	3	SRP137B	47	SRPM137B	47	SRPM2313B	83
	4	SRP149B	59	SRPM149B	59	-	-
THREE WAY WITH OFF C 	1	-	-	SRP113C	23	SRP215C	35
	2	-	-	SRP126B	41	SRP229C	59
	3	SRP139C	59	SRPM139C	59	SRPM2313C	83
	4	SRP1412C	77	SRPM1412C	77	-	-
FOUR WAY NO OFF D 	1	-	-	SRP113D	23	SRP215D	35
	2	-	-	SRP126D	41	SRP229D	59
	3	SRP139D	59	SRPM139D	59	SRPM2313D	83
	4	SRP1412D	77	SRPM1412D	77	-	-

NOTE :
 For other dimensions refer separate dimension sheet.
 Indicating plates square size 64 x 64 mm for standard switches and 75 x 75 mm for switches with Locks - Interlocks .
 Single and double Pole Switches are rated 250V. If required for 440V - in code add 'M' as shown above. Dimension Y shown correspondingly.
 Add GB in code for switches required with grey I. P. and black knob. Alternatively add YR for yellow I. P. and red knob. If either codes are not specified, then we shall book order with GB.



INSTRUMENT SELECTOR SWITCHES 10 AMPERES

Rotary Selector Switches are suitable for instruments like Ammeters, Voltmeters, Power Factor Meters etc. The design enables to indicate by means of a single meter, the current or the voltage. Ammeter Selector Switches are provided with make - before - break contacts to give security against risk of open circuit of the current transformer secondaries. Listed below are standard switches.

TYPE

Open execution without any enclosure.

DESIGN

Air break wiping contacts (Double Break) self aligning,

RATING:

10 Amp. for working voltage of 250V or 440V for AC circuits only.

MECHANISM

Slow - Break - principally for AC switching only.

MOUNTING :

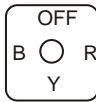
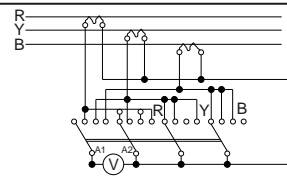
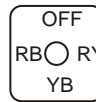
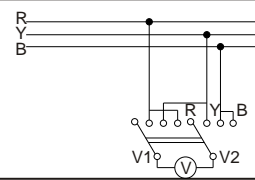
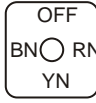
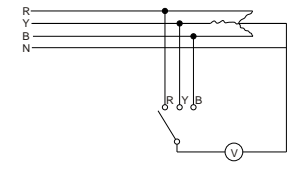
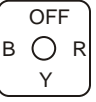
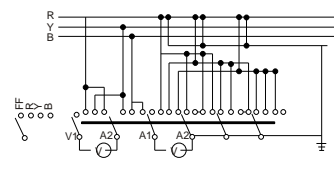

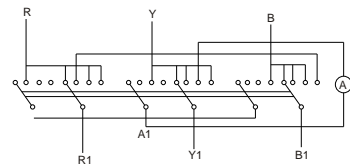
For Switches flush at the back of panel mounting specify SRP for switched at the front of panel base mounting specify SBC

SPECIFICATIONS:

Rotary Switches conform to IS : 13947 - 1993 and also Defence Specifications.

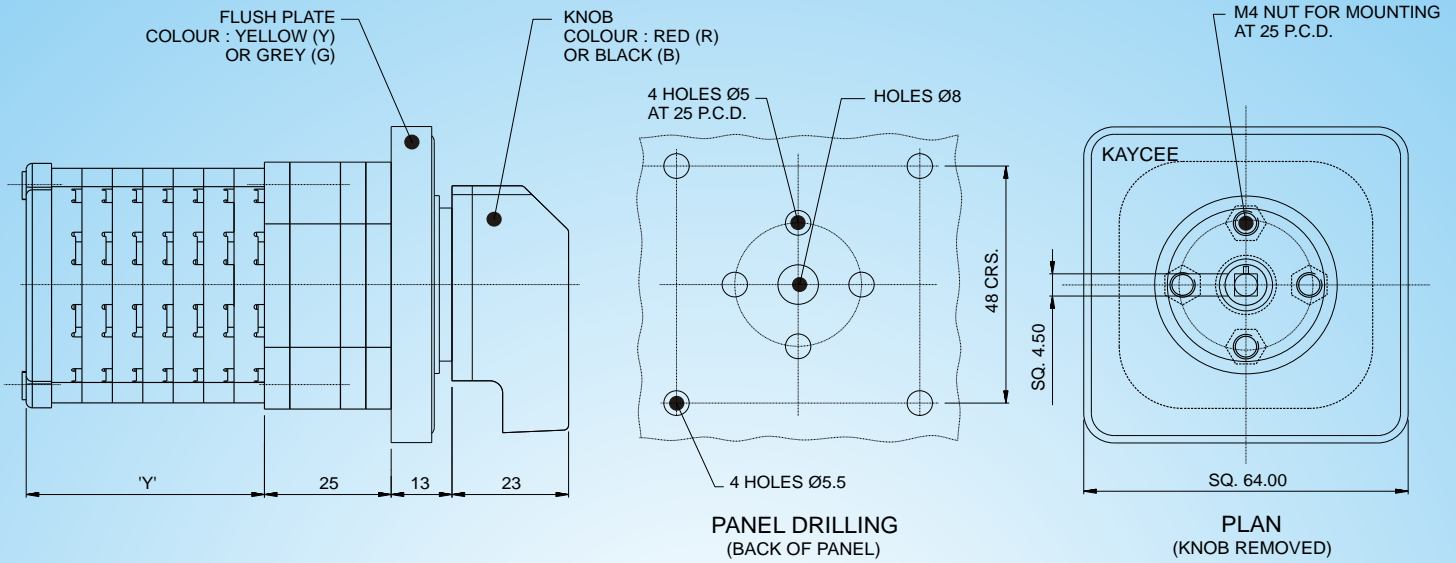
OPTIONAL ACCESSORIES :



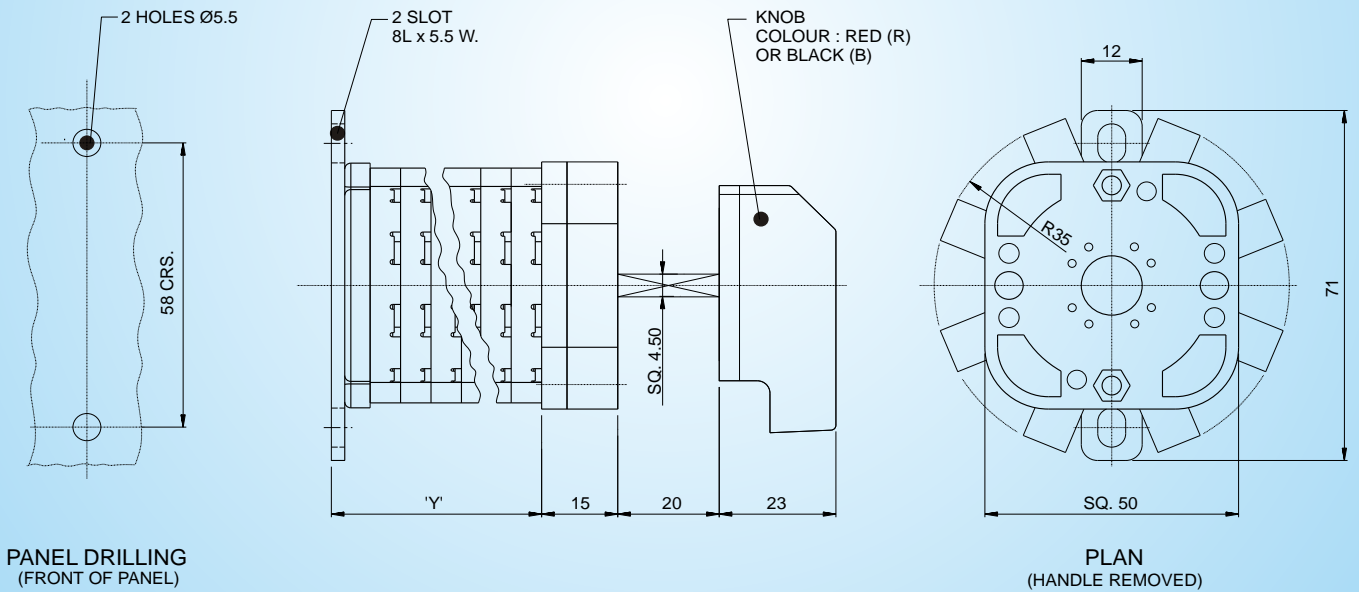
AMMETER SELECTOR	SWITCHING	TYPE	DIM'Y'	DIAGRAM
 <p>Current in each phase with OFF 4 positions 90° Indicating plate size 65 X 65 mm sq.</p>	SRP136MA60	41		
 <p>Voltage between phase with OFF 4 positions 90° Indicating plate size 65 X 65 mm sq.</p>	SRP135VS	35		
 <p>Voltage between phase and neutral with OFF 4 positions 90° Indicating plate size 65 X 65 mm sq.</p>	SRP115BE18	35		
SPECIAL SELECTOR SWITCHES				
 <p>With one switch to indicate, with one Ammeter & one Voltmeter, Simultaneous Reading of phase current & Voltage between phases , with an OFF position. Indicating plate size 65 X 65 mm sq.</p>	SRP1310MB28	65		
 <p>4 Pos. Ammeter selector switch Direct in line without CT Indicating plate size 65 X 65 mm sq.</p>	SRP1313ZZF12	83		

NOTE : Add GB in code for switches required with grey flush plate and black knob. Alternatively add YR for Yellow flush plate and red knob. If either codes are not specified, then we shall book order with GB.

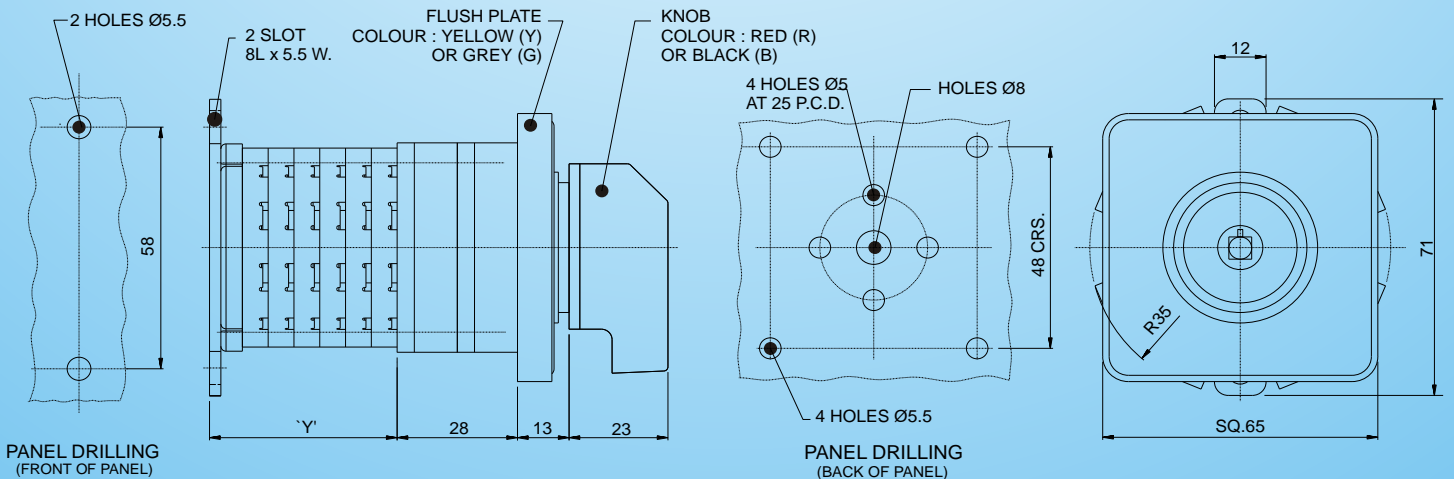
PANEL MOUNTING



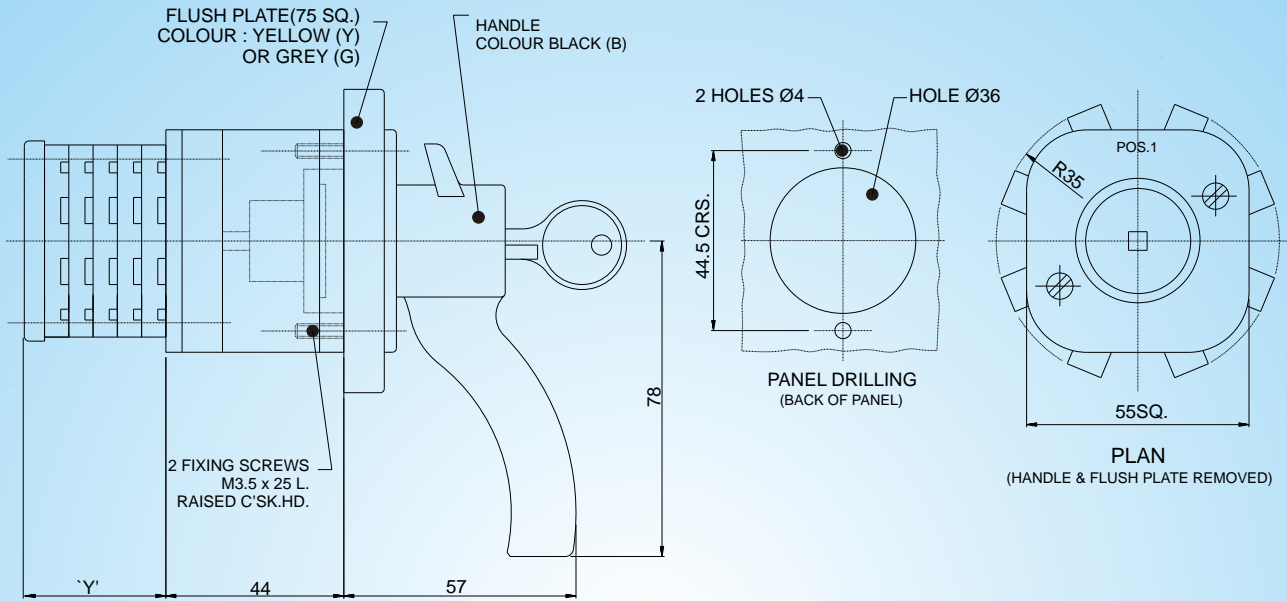
BASE MOUNTING



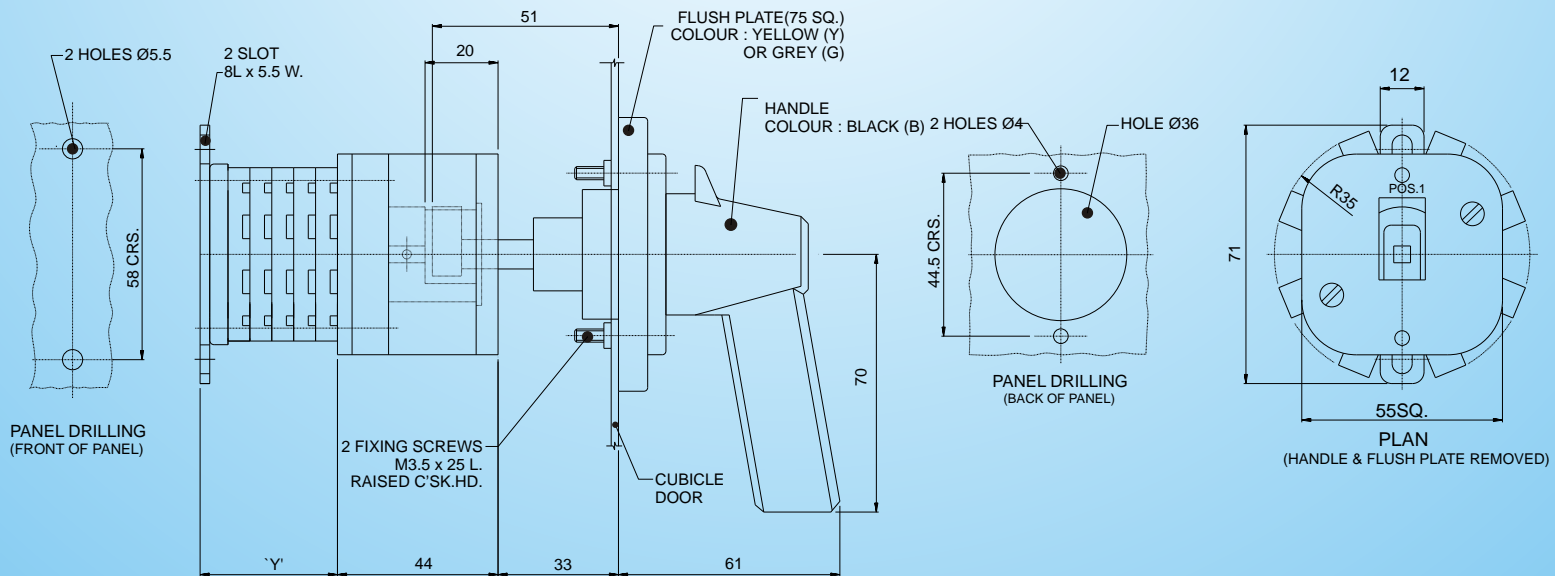
SMALL UNIVERSAL MOUNTING



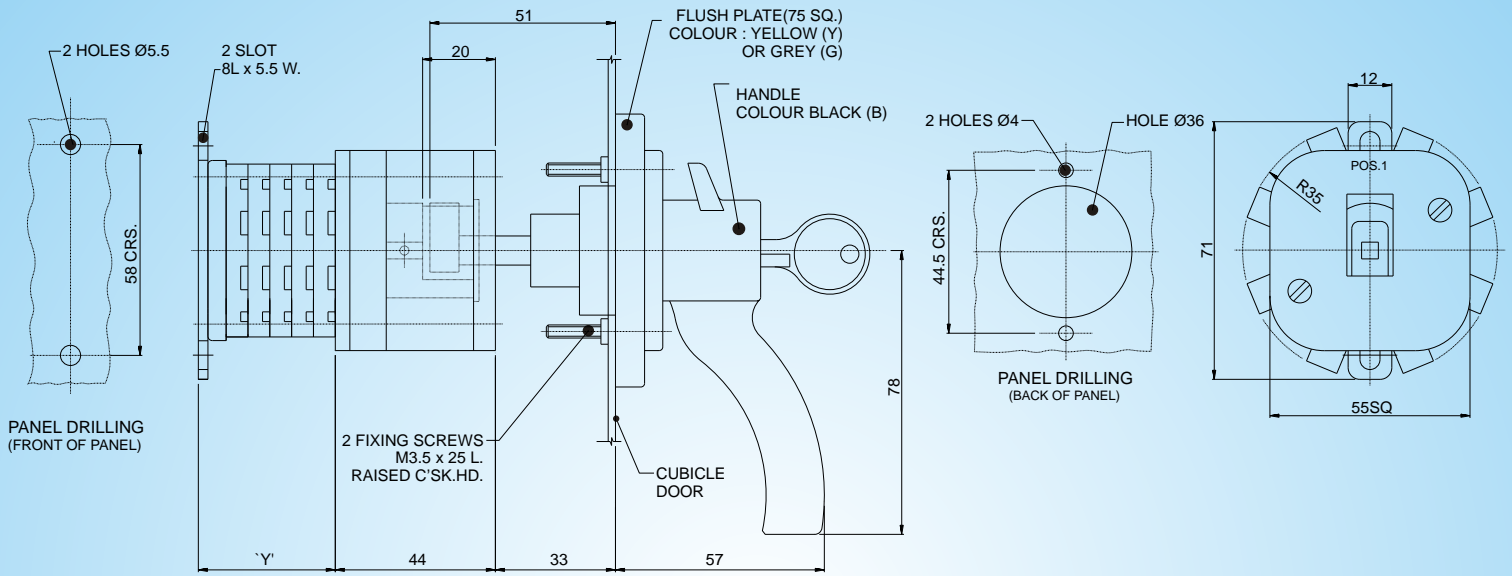
CENTER KEY LOCK



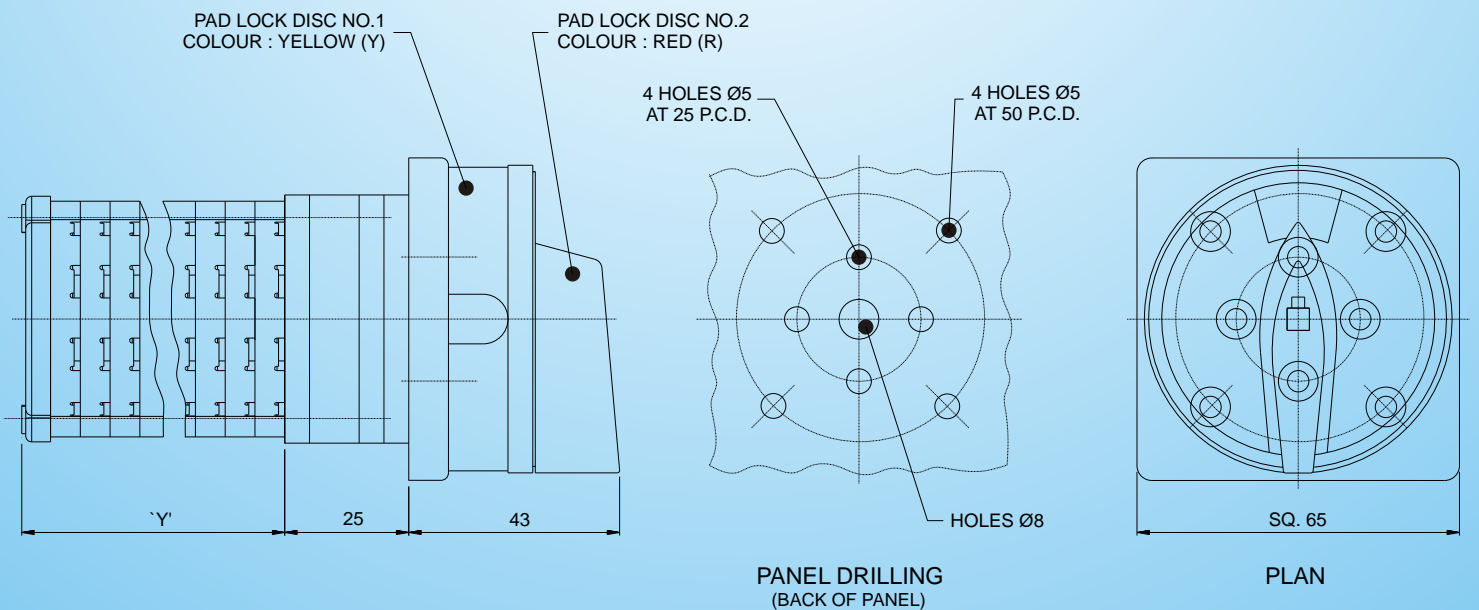
CUBICLE DOOR INTERLOCK(NON LOCKABLE)



CUBICLE DOOR INTERLOCK (LOCKABLE)



PAD LOCK SWITCH





Manufactured by :
KAYCEE INDUSTRIES LIMITED

32, Ramjibhai Kamani Road, Ballard Estate,
Mumbai - 400 001.

Tel. : +91 (22) 2261 3521 / 22 / 23

Fax : +91 (22) 2261 6106

E-mail : kayceeindltd@vsnl.com

Website : www.kayceeindustries.com

Authorised Channel Partner



Branch Offices :

Ahmedabad : 096240 64739

Bangalore : 093428 53324

Chennai : 093812 01556

Delhi : 093120 04687

Indore : 099770 05208

Kolkata : 093392 00968

Nashik : 098506 66743

Pune : 098222 51408

Vadodara : 099251 59373



Kaycee Ind. Ltd.
File Number : A12020 ISO 9001:2009